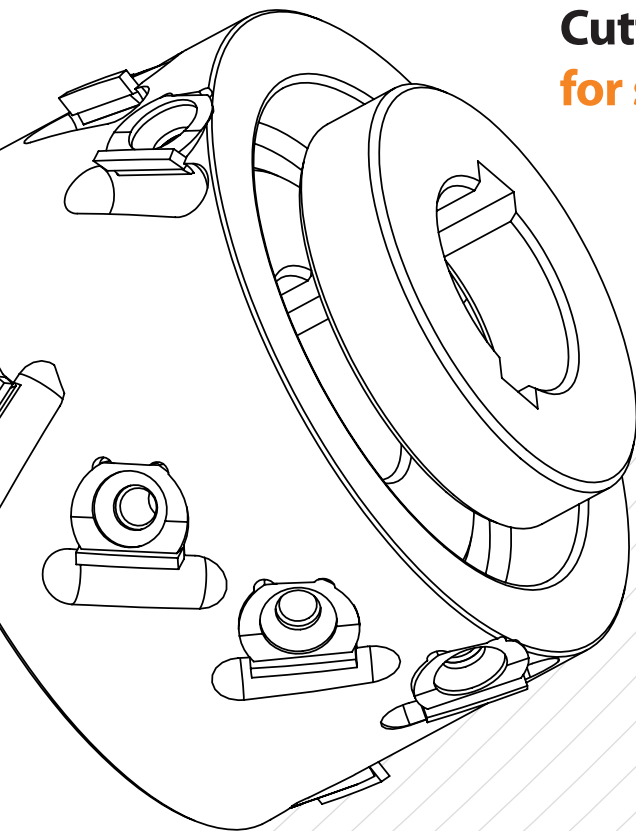


FDKA

Cutter head with exchangeable PCD inserts for surface formatting



Cutter head with aluminum body and exchangeable inserts. Multi-use aluminum body and exchangeable blades give significantly lower maintenance costs after a couple of life cycles.

Aluminum body results in tool weight lower by 60%. It significantly reduces spindle work load compared to steel body tools. Lower tool weight means also noise reduction and stable machine work.

New economical solutions for cutter heads.

- aluminum body,
- tool weight – 810g,
- exchangeable PCD inserts,
- noise reduction,
- additional spacer ring making the tool more universal – “3 in 1” version,
- blades arranged in axial angle which guarantees efficient and high quality work.

Material type:

- chipboard,
- laminated board,
- paper or foil covered board.

FDKA

Catalogue code	D mm	B mm	d mm	z DIA		n _{max}
FDKA.0010	100	44	30	3+3	P	16 500

+ approximate production time 9 days